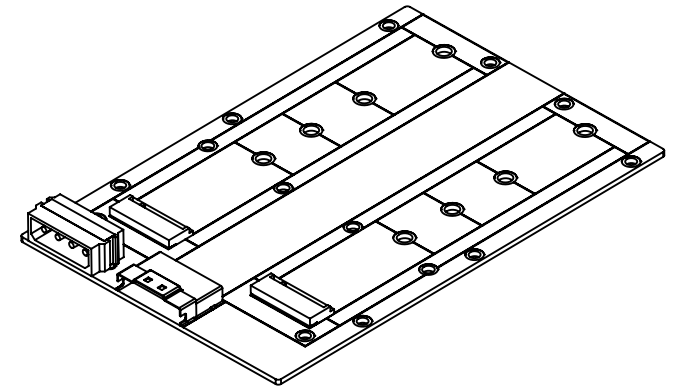


PCB Thickness(mils) : 1.6mm
 PCB length x Width : 146 X 96 mm



Drawn	Tina	Minerva Innovation Company				
Checked	2019-10-01	Title	Part NO.			
Approved		PC802A	Drawing NO.			
Angle of projection		Tolerance	Scale	Sheet	Siez	Rev
			1 : 2			